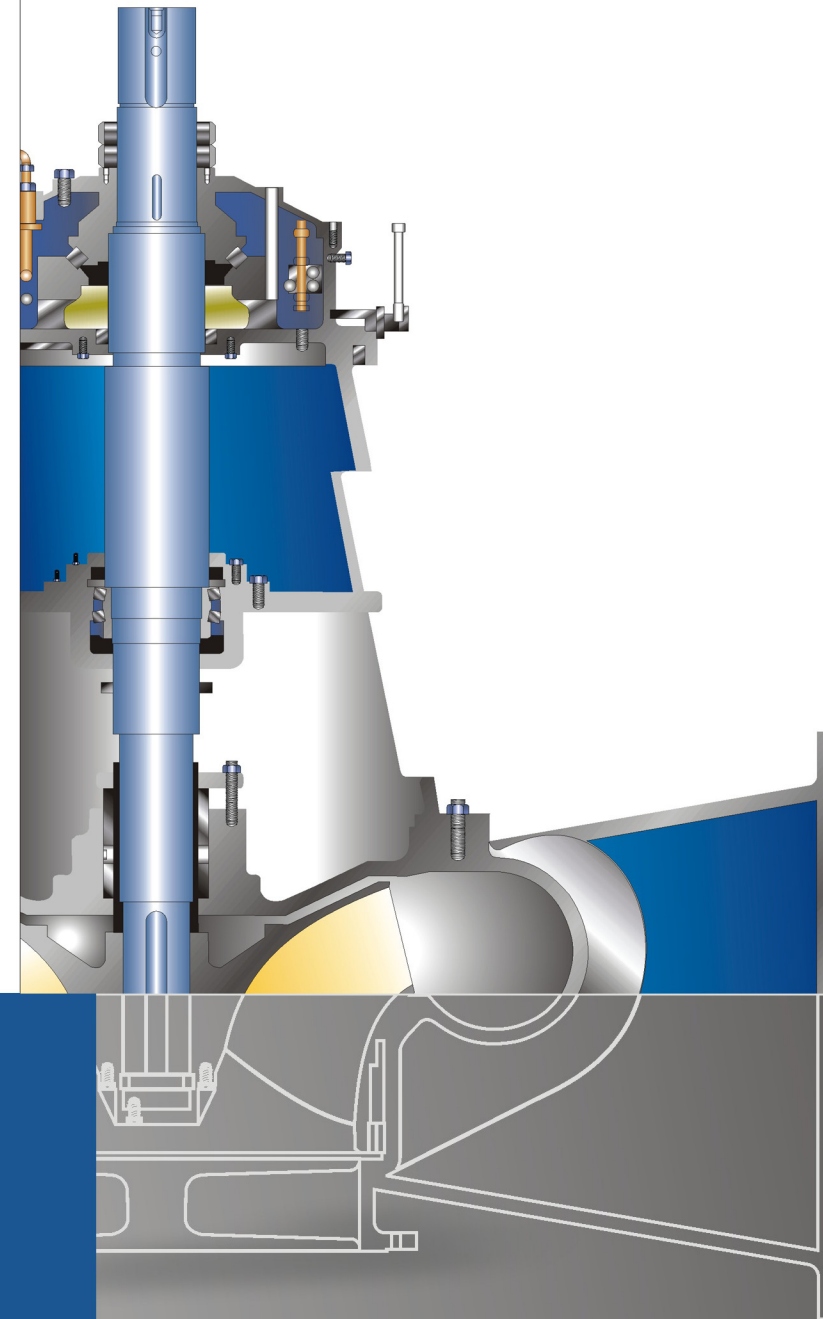
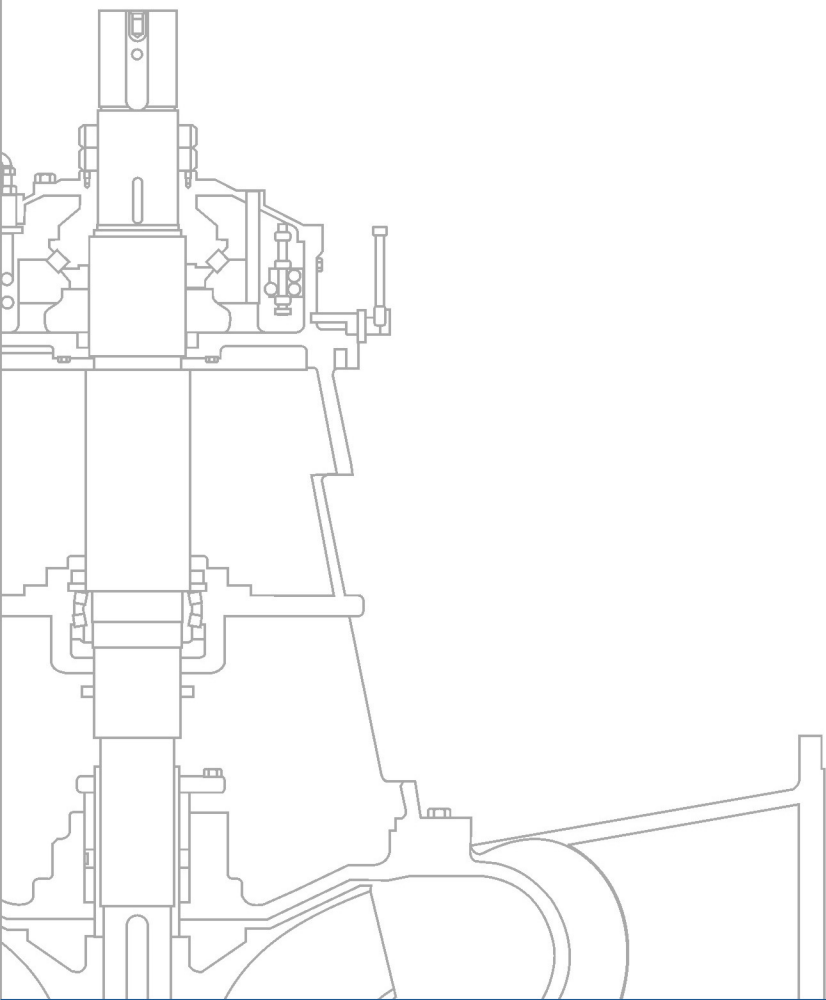


# TG CFV



## PT TORISHIMA GUNA ENGINEERING

HEAD OFFICE : Jl. Rawa Sumur Timur No. 1 Pulugadung Industrial Estate,  
Jakarta 13930 - Indonesia. Phone: +62 21 460 3962, Fax: +62 21 460 3937  
Email : tge-info@torishima-guna.co.id

TURBOMACHINERY WORKSHOP : Jl. Selayar II Blok H-12, Kawasan Industri MM2100  
Telajung, Cikarang Barat Bekasi 17845, West Java - Indonesia.  
Phone: +62 21 2957 6955, Fax: +62 21 2957 6956

@ tge.id | www.torishimaguna.com





# TG CFV

## VERTICAL VOLUTE CASING PUMP

*TorishimaGuna CFV vertical volute casing pumps are from 200 mm to 1000 mm size standardized pumps that are best suited for mainly relay pumps in sewersystem or sewage transfer in sewage treatment plants.*

### APPLICATIONS

- **Sewerage :**  
Rain drainage, Sewage transfer
- **Water Works :**  
Water Intake, Boosting, Distribution
- **Agriculture :**  
Irrigation and Drainage

### OPERATING RANGE

Total Range : H 5 up to 30 m  
Capacity : Q 3 up to 150 m<sup>3</sup>/min  
Size : 200 to 1000 mm

*In addition to the above operating range, special and larger size pumps are also available.*



## DESIGN AND FEATURES

### FEATURES

1. Non-clogging design to shut out clogging of the pump casing and impeller.
2. Installation in a dry pit and in addition, the possibility of withdrawing the rotating assembly from the casing without disconnecting the pipings facilitates inspection and maintenance service.
3. Vertical type saves the installation space.
4. Suction condition can be applied under both positive suction head (+) and suction lift (-).
5. Not only single floor type but also two-floor and three-floor type installations are selectively available.

### DESIGN

- **Volute Casing :**  
The casing is supported with rigid pump legs.  
Furthermore, it is provided with an inspection window to ease internal inspection.
- **Impeller :**  
Open impeller is standard.  
Closed impeller is also optionally available.  
*(for sewage application, the number of vanes can be reduced optimally according to the condition of sewage)*
- **Shaft Seal :**  
Stuffing box packing is standard.  
Mechanical seal is also available on request.
- **Bearings :**  
Roller bearings are used.  
Axial thrust is supported by pump.

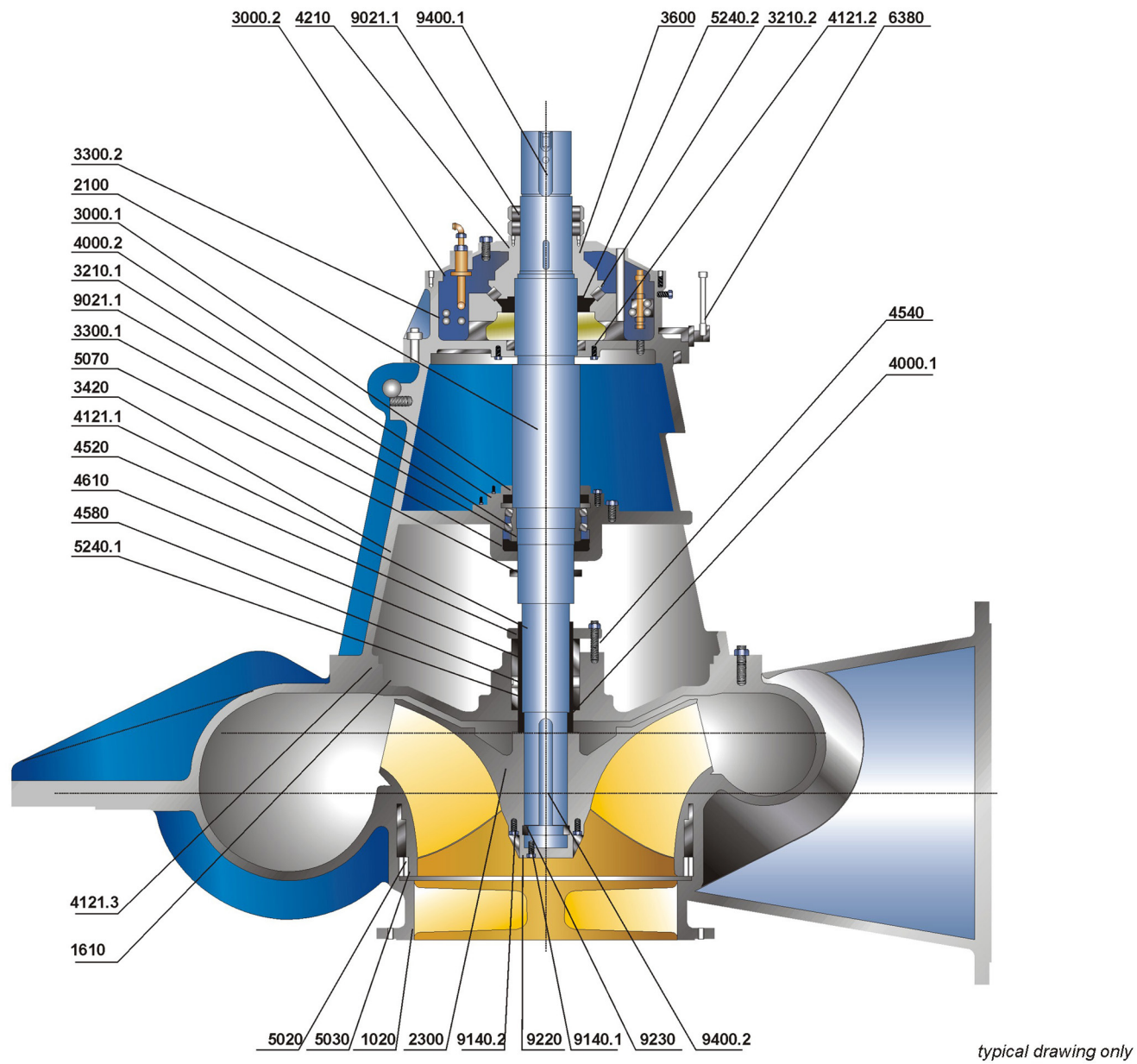


Testing TG CFV Pump



TG CFV Pump Installation

# SECTIONAL DRAWING & PARTNAME



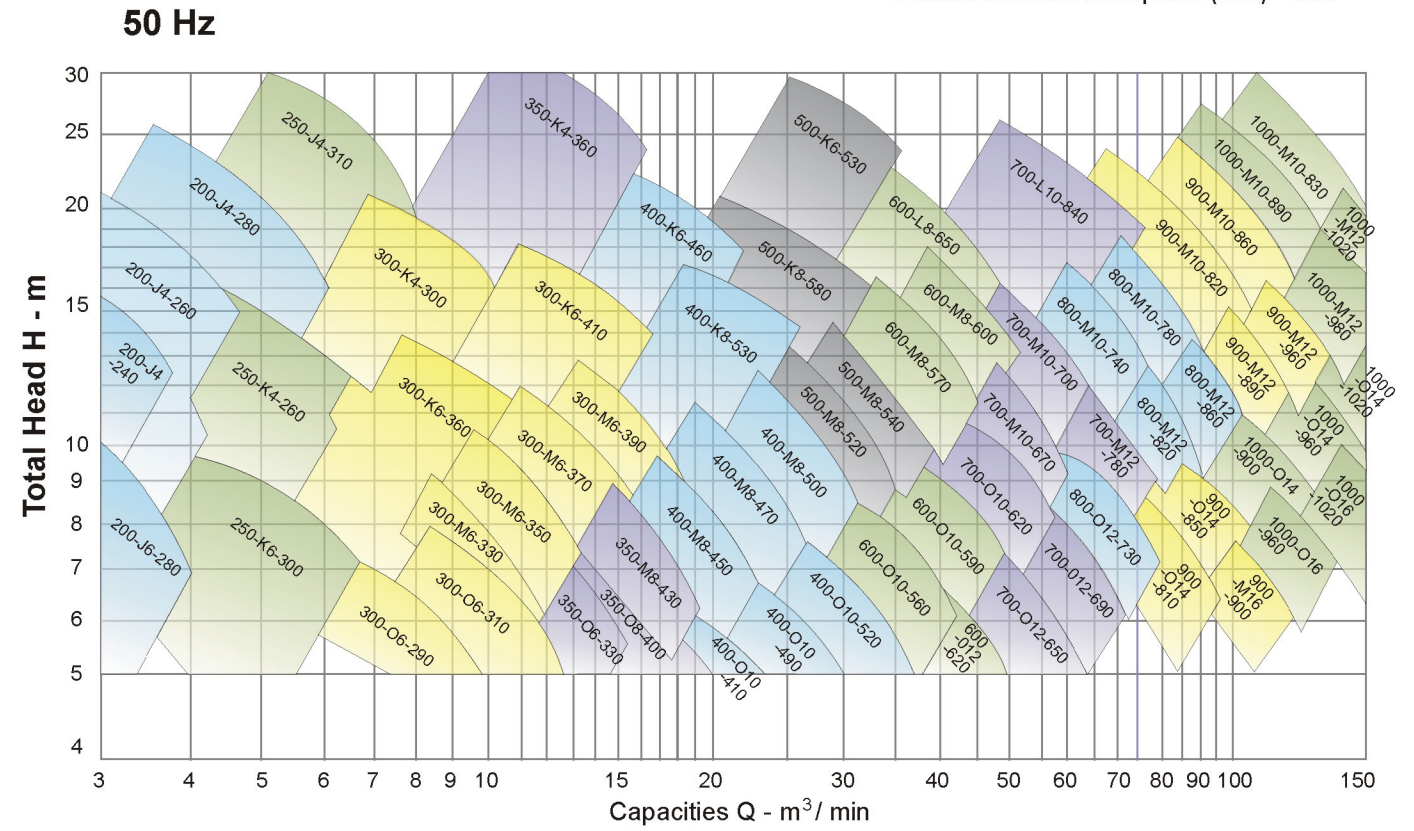
CODE NO.	PARTNAME	QTY	PART MATERIAL
1020	Casing	1	FCD 500
1610	Cover	1	FCD 500
2100	Shaft	1	SCM 440
2300	Impeller	1	SCS 13
3000.1	Lower Bearing Gland	1	FC 250
3000.2	Upper Bearing Gland	1	FC 250
3210.1	Bearing	1	SKR SS304
3210.2	Roller Bearing	1	SUS304
3300.1	Bearing Housing	1	FC 250
3300.2	Bearing Housing	1	FC 250
3420	Bearing Stool	1 set	FC 250
3600	Bearing Bush	1	SCM 440
4000.1	Gasket	1	EPDM
4000.2	Gasket	1	EPDM
4121.1	O-ring	1	Rubber
4121.2	O-ring	1	SUS 420J2
4121.3	O-ring	-	Rubber
4210	Oil Seal	-	Rubber with Spring

CODE NO.	PARTNAME	QTY	PART MATERIAL
4520	Gland Bush	1 set	FC 250
4540	Gland Bolt	2	SS 316
4580	Packing ring	1	SUS 420 J2
4610	Packing	6	PTFE
5020	Casing Wearing Ring	1	SUS 420 J2
5030	Impeller Wearing	1	SUS 420 J2
5070	Deflector	-	SUS304
5210.2	Packing Sleeve	-	CS
5240.1	Packing Sleeve	1	SUS 420 J2
6380.	Oil leveler	-	Glass
9021.1	Bearing Nut	-	S45C
9021.2	Lock Nut	2	S45C
9140.1	Hexagonal Socket	4	Ss316
9140.2	Hexagonal Bolt	4	Ss316
9220	Impeller Cap	1	SUS 420 J2
9230	Snap Ring	1	SUS 420 J2
9400.1	Coupling Key	1	S45C
9400.2	Impeller Key	1	SUS 420J2

# SELECTION CHARTS

## Pump Type Designation

200 - J6 - 280  
 Nozzle size (suction : mm) = 200  
 Classification code by Ns = J  
 No. of motor poles (6 poles) = 6  
 Outside diameter of impeller (mm) = 280



# EXAMPLES OF INSTALLATION

# TG CFV PUMP INSTALLATION

WATER TANK

