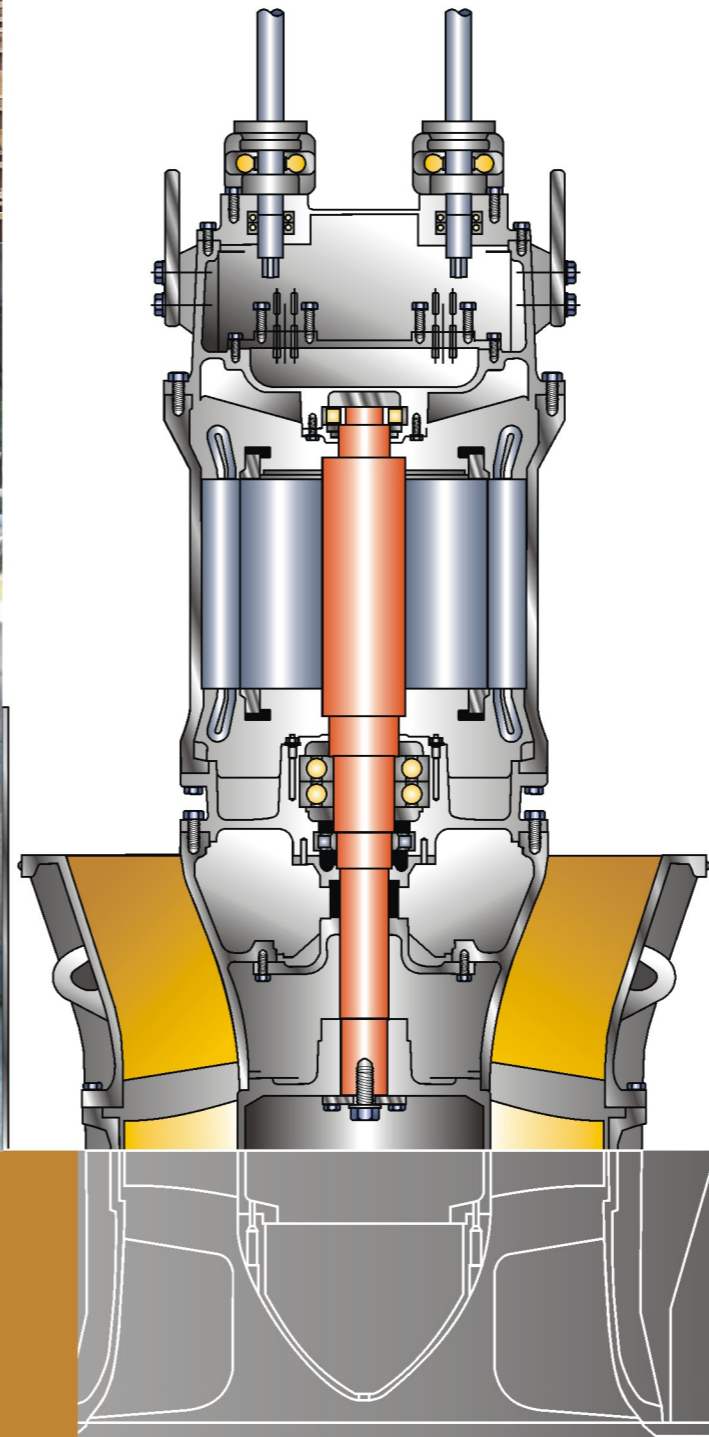


SMSV / SMIV

APPLICATIONS



Column Type
Submersible Pump



PT TORISHIMA GUNA ENGINEERING

HEAD OFFICE : Jl. Rawa Sumur Timur No. 1 Pulugadung Industrial Estate,
Jakarta 13930 - Indonesia. Phone: +62 21 460 3962, Fax: +62 21 460 3937
Email : tge-info@torishima-guna.co.id

TURBOMACHINERY WORKSHOP : Jl. Selayar II Blok H-12, Kawasan Industri MM2100
Telajung, Cikarang Barat Bekasi 17845, West Java - Indonesia.
Phone: +62 21 2957 6955, Fax: +62 21 2957 6956

© tge.id | www.torishimaguna.com



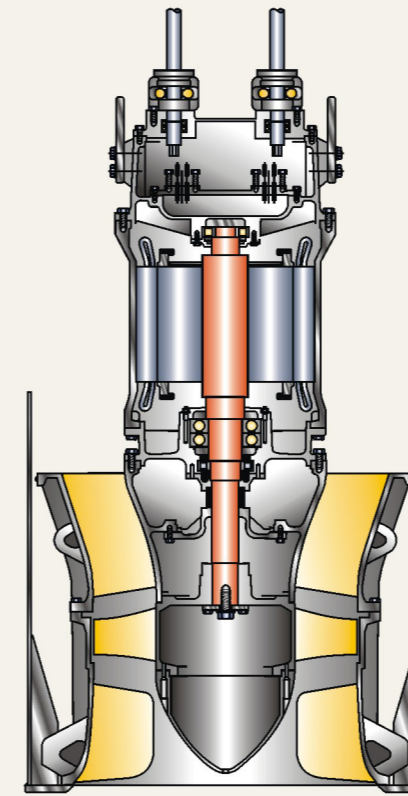
INTRODUCTION

SMIV Model (Axial Flow) and **SMSV (Mixed Flow)** are large capacity type submersible propeller pumps with low head capabilities. These pumps, which offer high efficiency and superior performance complete with compact design and easy operation, are designed to meet the requirements for efficient handling of large quantities of water.

In particular for installation, maintenance and inspection in pits, *Auto In-Pipe Column Installation Type* is adopted because of the highly reliability and rapid discharge connections. These features substantially reduce costs of the construction as well as saves labor and energy for the operation.

APPLICATIONS

- Storm Water and Flood Control
- Agricultural Water, Irrigation
- Industrial Water and Drainage
- River Water Intake and Lifting / Draining of Water Canals
- Dry Dock Drainage
- Water Level Regulation of Reservoirs
- Seawater Intake Regulation, Fish Farming
- Other Applications Requiring Pumping Large Quantities of Water



sectional drawing only

SMIV Axial Flow Pump

SPECIFICATION

- Impeller Type : Axial Flow Type (Propeller)

MATERIAL

- Impeller : Bronze, Ductile Cast Iron, Stainless Steel
- Casing : Cast Iron, Ni Resist, Stainless Steel
- Shaft : Carbon Steel, Stainless Steel

Other material is available upon request

RUST PROTECTION

- Pump Coating : Epoxy Coating, Special Coating (optional)
- Other Protection : Cathodic Protection (optional)

MOTOR

- Pole : 4 ~ 24
- Insulation Class : F
- Voltage : 3 Phase / 220 V / 380 V / 440 V / 2000 - 3300 V
- N : 1500 - 250 rpm
- Starting : DOL / Star Delta / Soft Starter / VSD

SMSV Mixed Flow Pump

SPECIFICATION

- Impeller Type : Mixed Flow Type

MATERIAL

- Impeller : Bronze, Ductile Cast Iron, Stainless Steel
- Casing : Cast Iron, Ni Resist, Stainless Steel
- Shaft : Carbon Steel, Stainless Steel

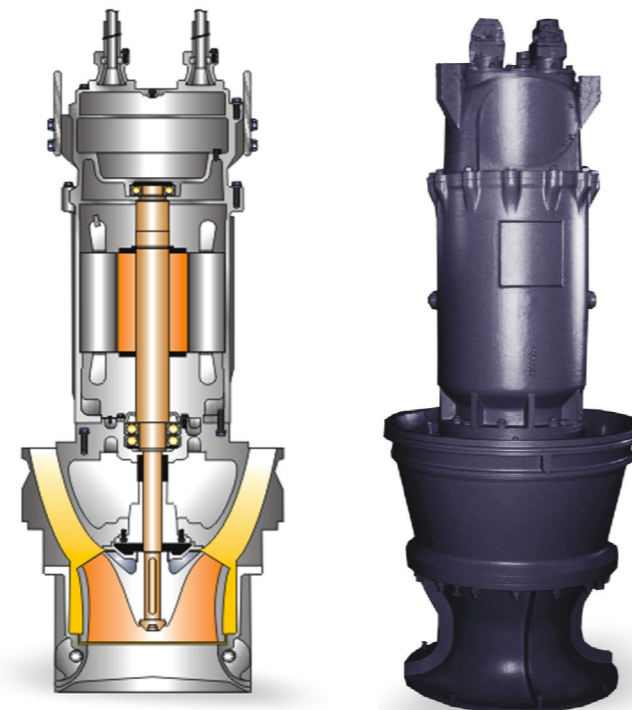
Other material is available upon request

RUST PROTECTION

- Pump Coating : Epoxy Coating, Special Coating (option)
- Other Protection : Cathodic Protection (optional)

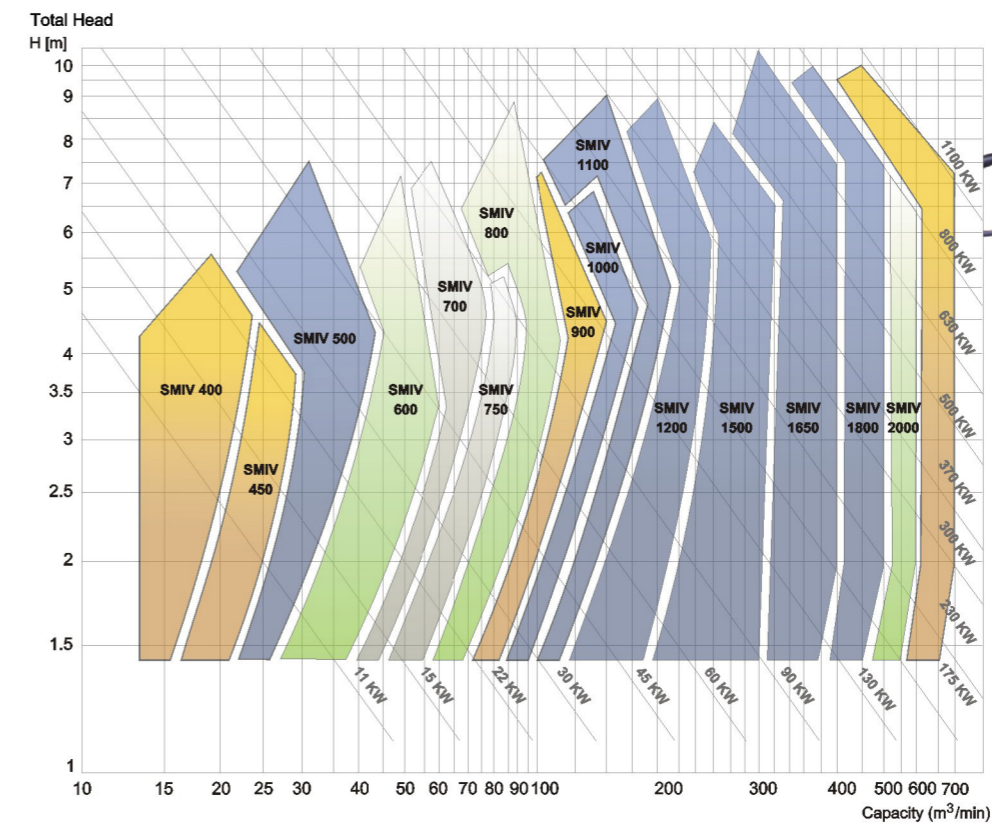
MOTOR

- Pole : 4 ~ 24 Pole
- Insulation Class : F
- Voltage : 3 Phase / 220 V / 380 V / 440 V / 2000 - 3300 V / 6000 V
- N : 1500 - 250 rpm
- Starting : DOL / Star Delta / Soft Starter / VSD



sectional drawing only

SELECTION CHARTS



SELECTION CHARTS

