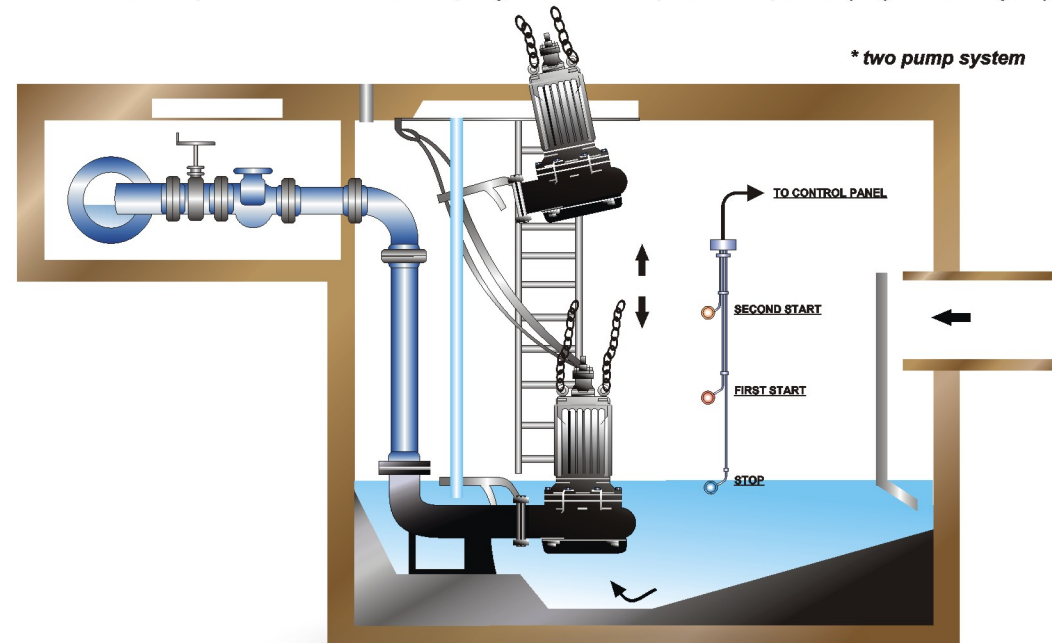


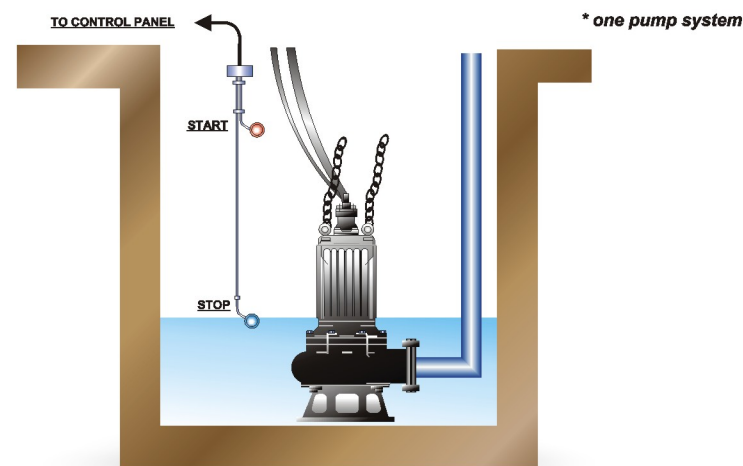
## WET SUMP INSTALLATION WITH AUTOMATIC COUPLING DEVICE

For easy inspection and maintenance works, automatic coupling device with to guide pipes must be positioned in the sump bottom with the pressure pipe connected.

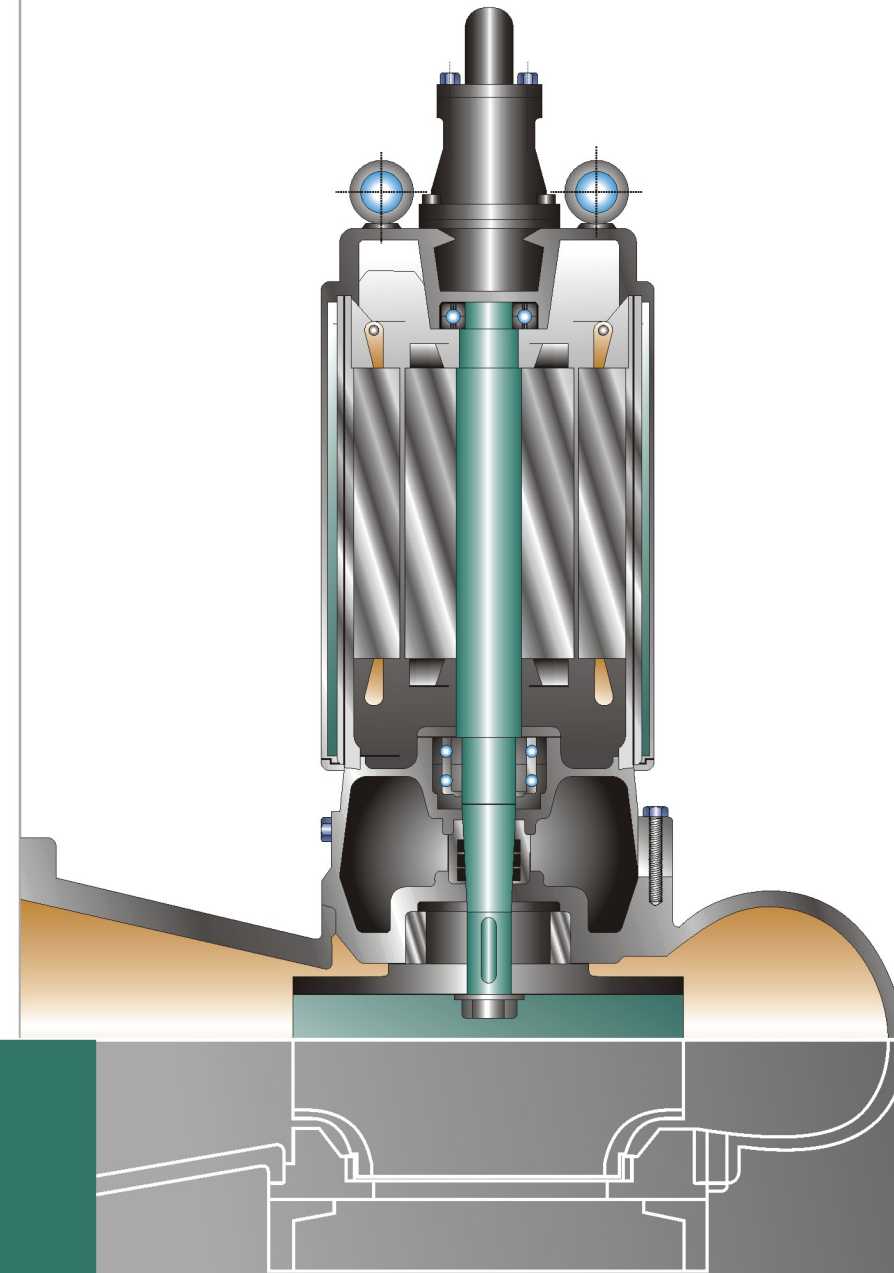
The anchor snap for the two guide pipes must be fixed near the sump access. Positioning the pump with the help of two guide pipes and a chain in the sump until it reaches the coupling device which produce a perfectly tight discharge system.



## PORTABLE INSTALLATION WITH FLOAT SWITCH



# SSC



Raw Water Intake  
/ Sewage Pump  
Non Clogging Impeller



**PT TORISHIMA GUNA ENGINEERING**

HEAD OFFICE : Jl. Rawa Sumur Timur No. 1 Pulugadung Industrial Estate,  
Jakarta 13930 - Indonesia. Phone: +62 21 460 3962, Fax: +62 21 460 3937  
Email : tge-info@torishima-guna.co.id

TURBOMACHINERY WORKSHOP : Jl. Selayar II Blok H-12, Kawasan Industri MM2100  
Telajung, Cikarang Barat Bekasi 17845, West Java - Indonesia.  
Phone: +62 21 2957 6955, Fax: +62 21 2957 6956

@ tge.id | www.torishimaguna.com







# SSC RAW WATER INTAKE / SEWAGE PUMP NON CLOGGING IMPELLER

Closed impeller design suitable for non clog pump applications. Wet parts material available in grey iron and stainless steel.

## MOTOR

- 2 ~ 14 pole
- Insulation Class : F or H
- Voltage :
  - Low Voltage  
220V / 380V / 440V / 680V
  - Medium Voltage  
3000V / 3300V / 6000V / 6600V  
*other voltage upon request*
- 420 ~ 3000 rpm
- Starting Methods : DOL, Star Delta, Soft Starter, VSD
- Standard Power : 0,55 kW ~ 650 kW  
*Other motor ratings available upon request*

## APPLICATION

- Raw water intake slurry and fibrous material in sewage water.
- Transfer solid at sewage, waste water treatment plant.
- Effluent transfer from waste & waste water treatment plant.
- Fountain, decorative waterfall.

## FEATURES

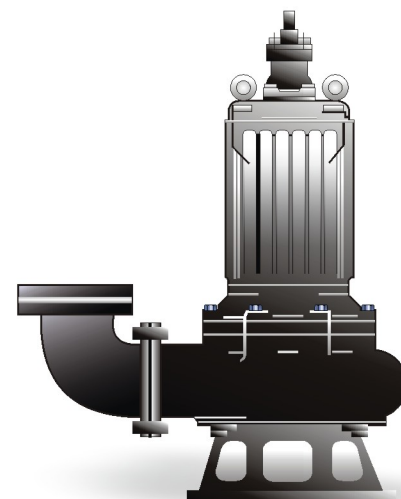
- Non logging foreign materials
- Multi-pole applicable according to water quantity.
- Including the electric motor protector.
- Perfect watertight with double mechanical seal.
- Cooling Jacket applicable for dry pit installation as an option

## PUMP

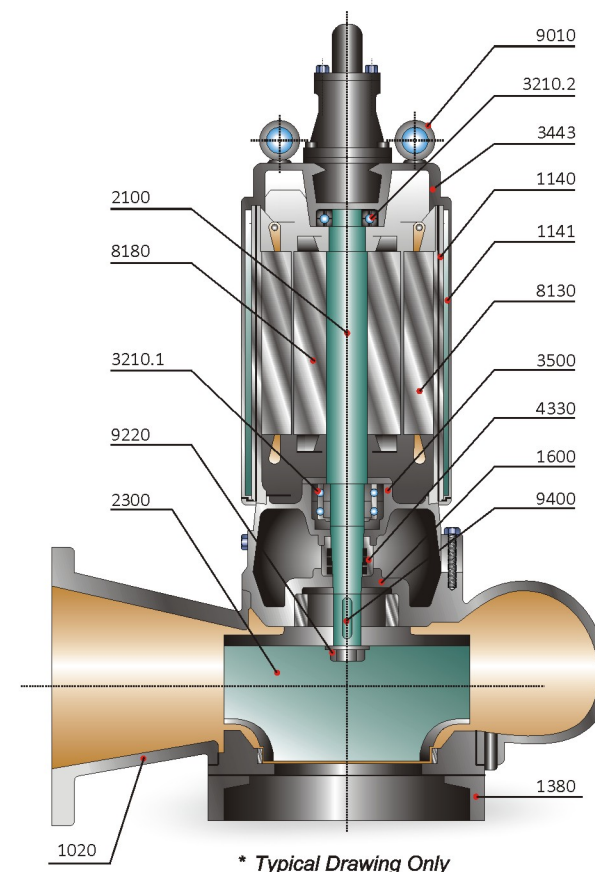
- Material :
  - Impeller : FC 200 / FC 250 / SCS 13 / SCS 14 / Duplex Stainless Steel
  - Casing : FC 200 / FC 250 / SCS 13 / SCS 14 / Duplex Stainless Steel
  - Suction Cover : FC 200 / FC 250 / SCS 13 / SCS 14 / Duplex Stainless Steel
  - Shaft : SCM 440 / SUS 410 / SUS 304 / SUS 316

*Other material are available upon request*

- Impeller type : Enlosed, Single Channel, Double Channel
- Connecting Method :
  - Flange Coupling / Hose Coupling
  - Automatic Discharge Connector



## SECTIONAL DRAWING



PART NO.	PART NAME	PART NO.	PART NAME
1020	Pump Casing	3443	Motor Bracket
1140	Motor Casing	3500	Bearing Housing
1380	Suction Cover	4330	Mechanical Seal
1141	Cooling Jacket (optional)	8130	Stator
1600	Seal Chamber	8180	Rotor
2100	Shaft	9010	Lifting Eye
2300	Impeller	9220	Impeller Nut
2301	Cutter (optional)	9221	Cutter Nut (optional)
3210.1	Double Ball Bearing	9400	Impeller Nut
3210.2	Ball Bearing		

