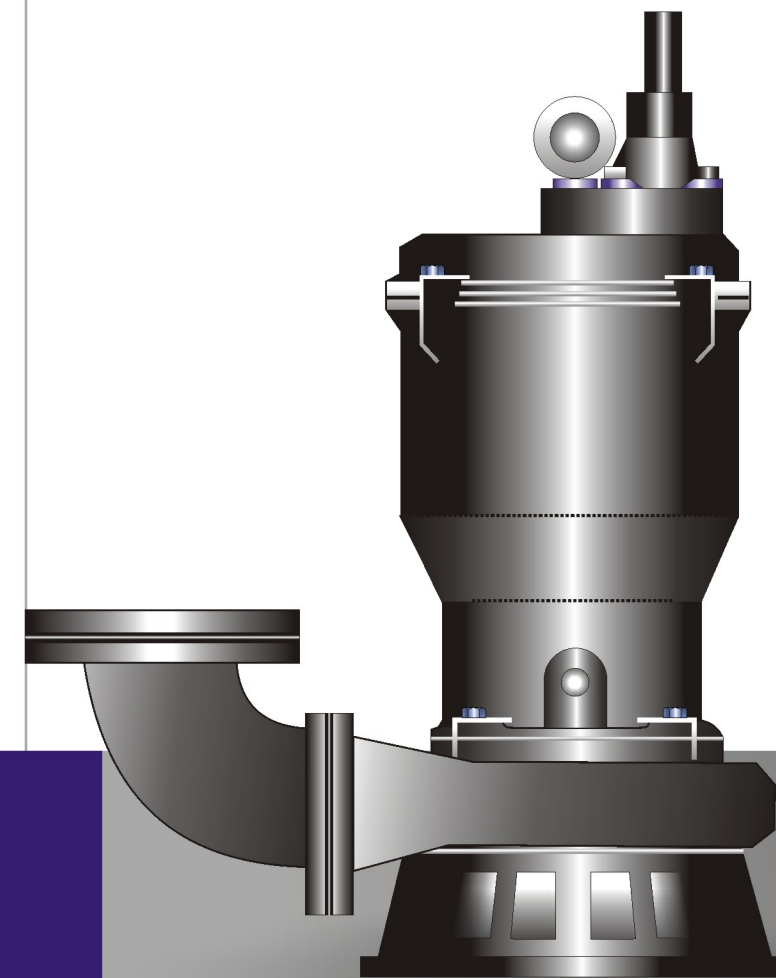
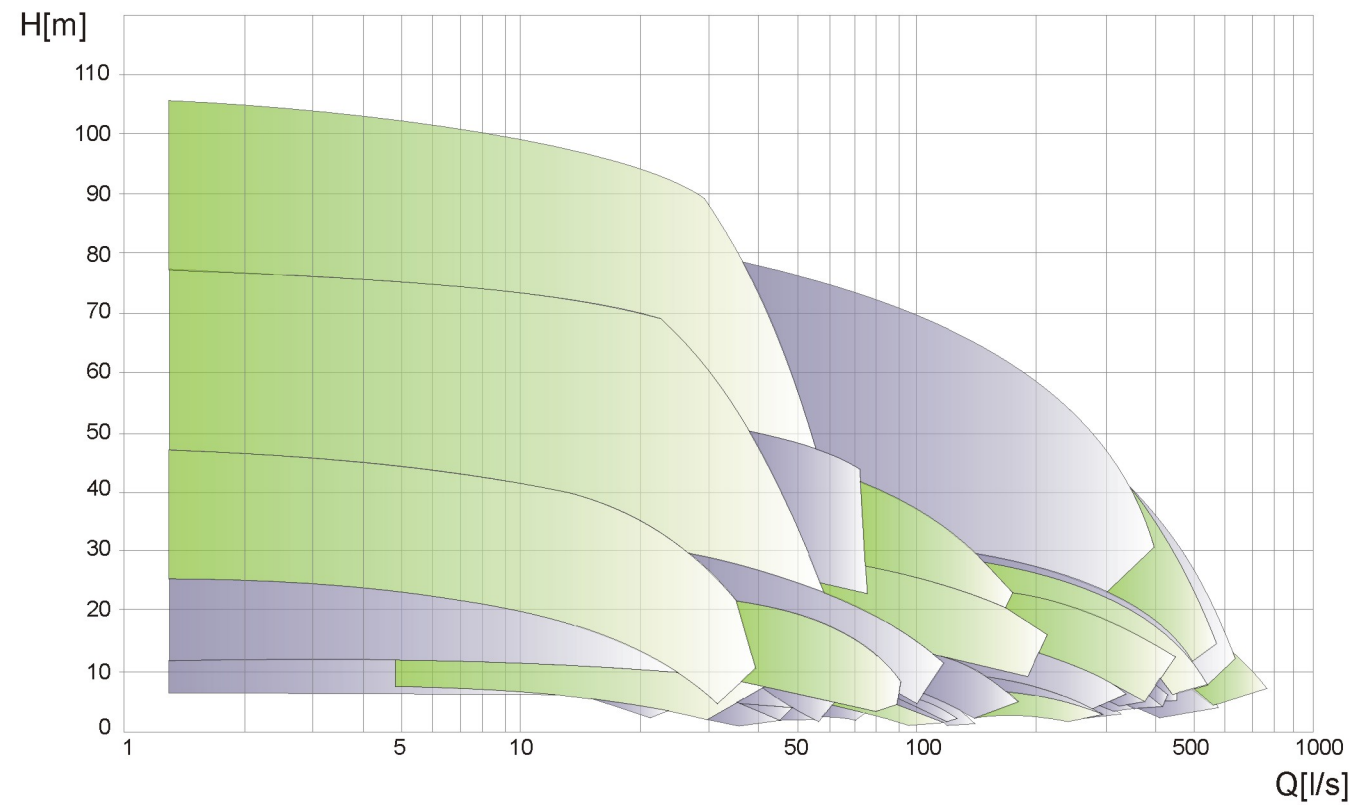


# SWO

## OPERATING RANGE

*Overview of Operating Range*



*Waste Water  
& Effluent Pump*



**PT TORISHIMA GUNA ENGINEERING**

HEAD OFFICE : Jl. Rawa Sumur Timur No. 1 Pulugadung Industrial Estate,  
Jakarta 13930 - Indonesia. Phone: +62 21 460 3962, Fax: +62 21 460 3937  
Email : [tge-info@torishima-guna.co.id](mailto:tge-info@torishima-guna.co.id)

TURBOMACHINERY WORKSHOP : Jl. Selayar II Blok H-12, Kawasan Industri MM2100  
Telajung, Cikarang Barat Bekasi 17845, West Java - Indonesia.  
Phone: +62 21 2957 6955, Fax: +62 21 2957 6956

[@ tge.id | www.torishimaguna.com](https://www.torishimaguna.com)



# WASTE WATER AND EFFLUENT PUMP

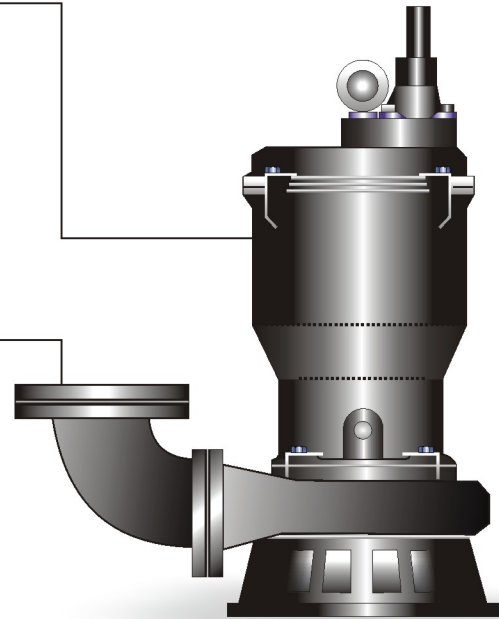
SWO is semi open impeller type suitable for transfer waste water, sewage, effluent. Wet parts material available in cast iron and stainless steel.

## MOTOR

- 2 pole ~ 6 poles
- Insulation Class : F / H
- 3 Phase
- Voltage : 220 V / 400 V / 460 V / 660 V
- DOL / Star Delta / Soft Starter
- Standard Power : 0.75 kW ~ 350 kW

## PUMP

- Impeller : Semi Open Type
- Material :
  - Impeller : FC 200 / FC 250 / SCS 13 / SCS 14
  - Casing : FC 200 / FC 250 / SCS 13 / SCS 14
  - Suction Cover : FC 200 / FC 250 / SCS 13 / SCS 14
  - Motor Bracket : FC 200 / FC 250 / SCS 13 / SCS 14
  - Shaft : SCM 440 / SUS 410 / SUS 420 / SUS 431
- Connecting Method
  - Flange Coupling / Hose Coupling / Automatic Discharge Connector



## APPLICATION

- Transport from Waste & Sewage Water Treatment Plant
- Subway Station, Underground, Industrial Site
- Fountain, Decorative Waterfall
- High Head
- High Head
- Easy to Maintain with Automatic Discharge Connector
- Equipped with Semi - Open Impeller
- Wet type as standard, Dry type available as an option
- Equipped with the Electric Motor Protector
- Perfect Watertight with Double Mechanical Seal

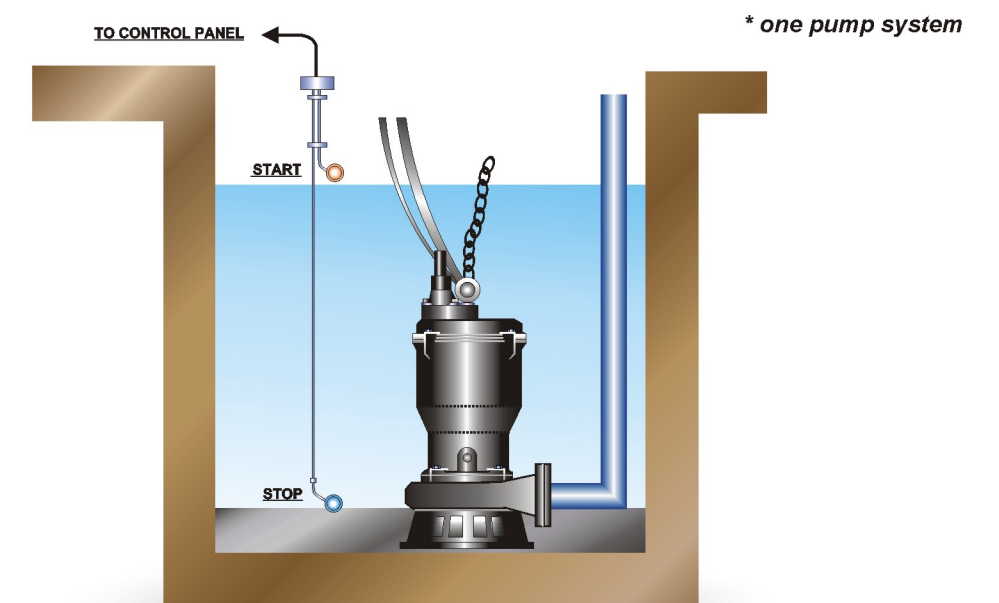
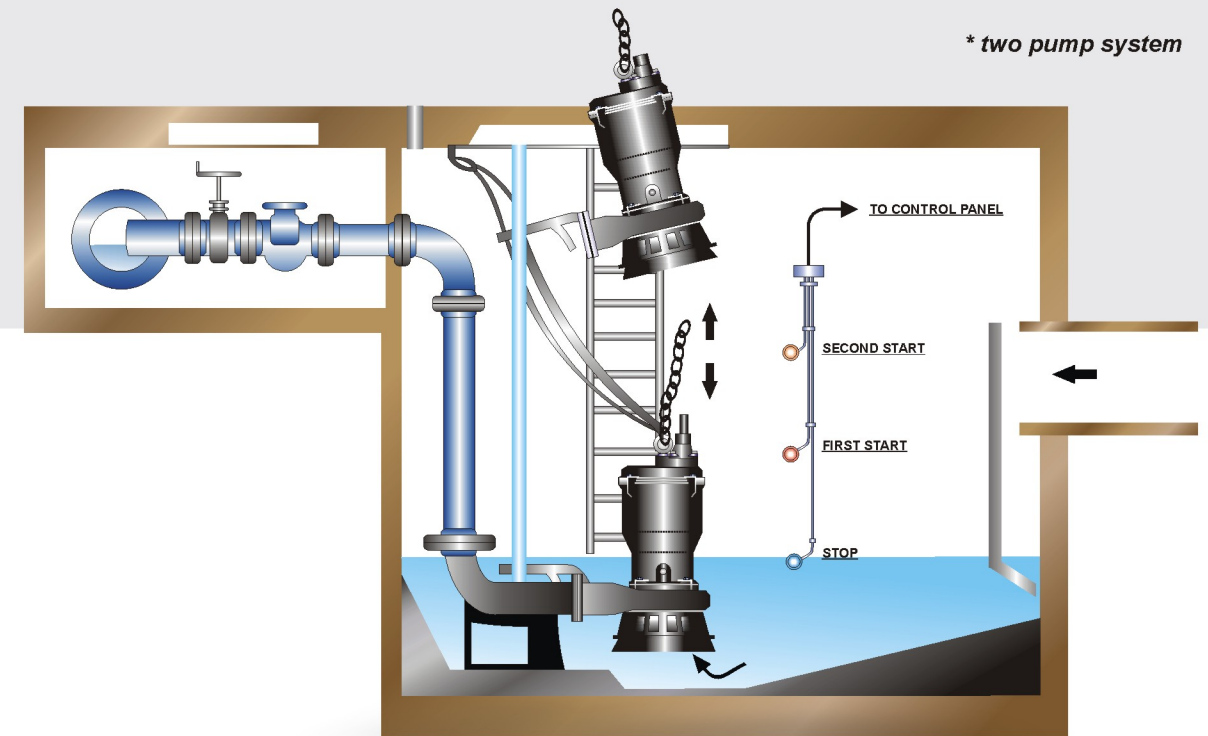


1.

## WET SUMP INSTALLATION WITH AUTOMATIC COUPLING DEVICE

For easy inspection and maintenance works, automatic coupling device with to guide pipes must be positioned in the sump bottom with the pressure pipe connected.

The anchor snap for the two guide pipes must be fixed near the sump access. Positioning the pump with the help of two guide pipes and a chain in the sump until it reaches the coupling device which produce a perfectly tight discharge system.



2.